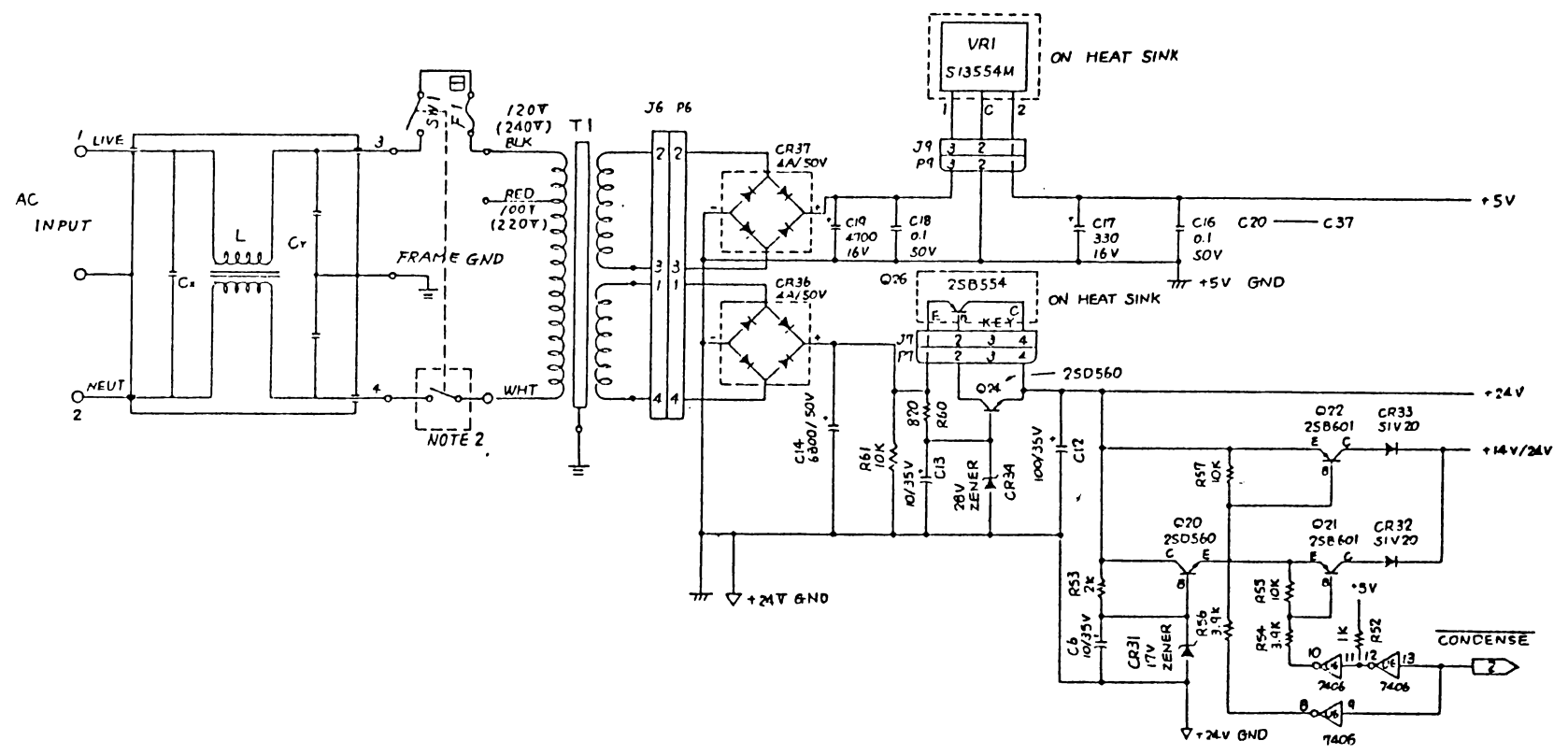


REVISIONS				
LTR	ZONE	DESCRIPTION	DA	APPROVED
B		REVISED & REDRAWN PER ECO R30425	10-13-83	<i>[Signature]</i>

MPP 1361

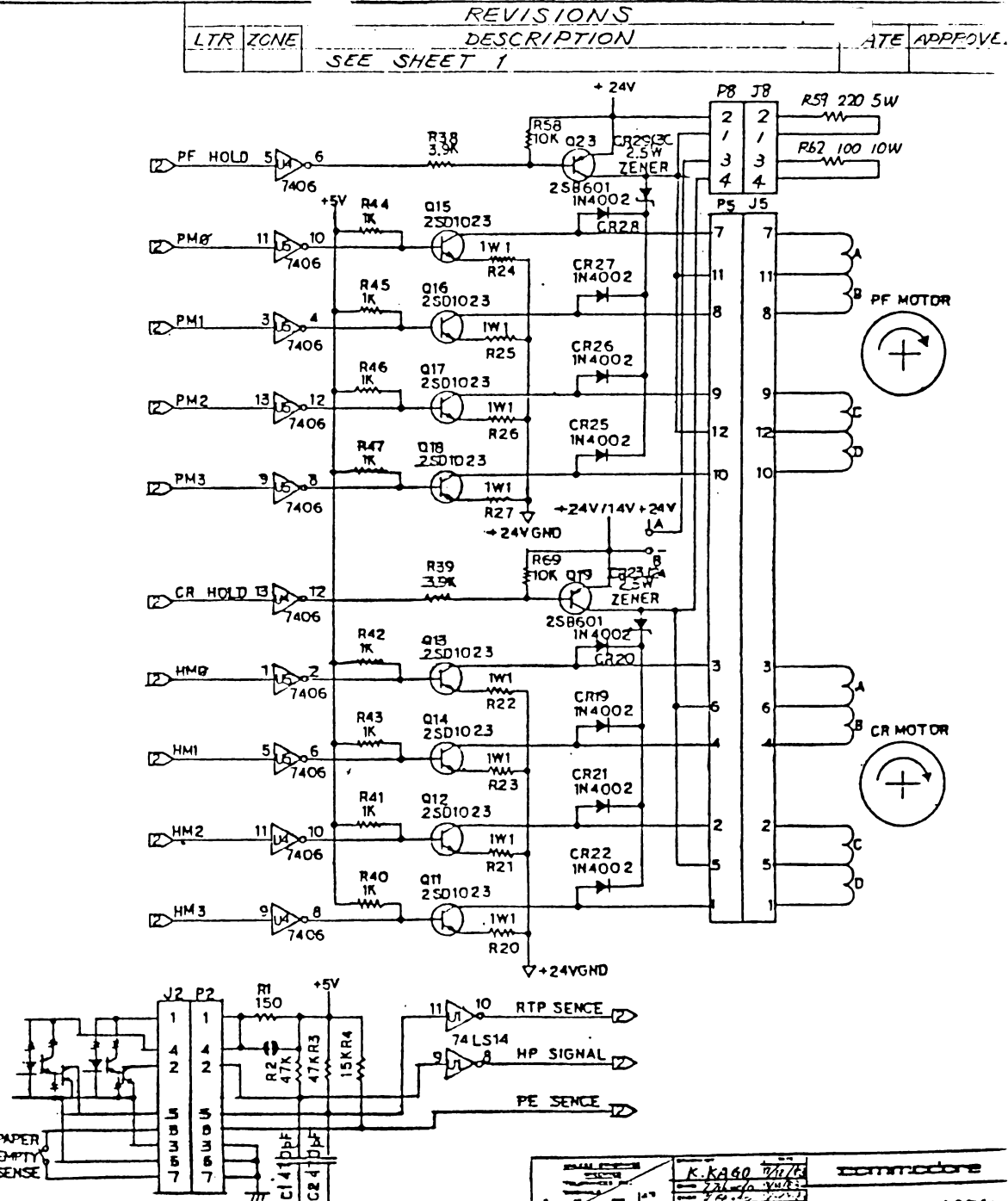
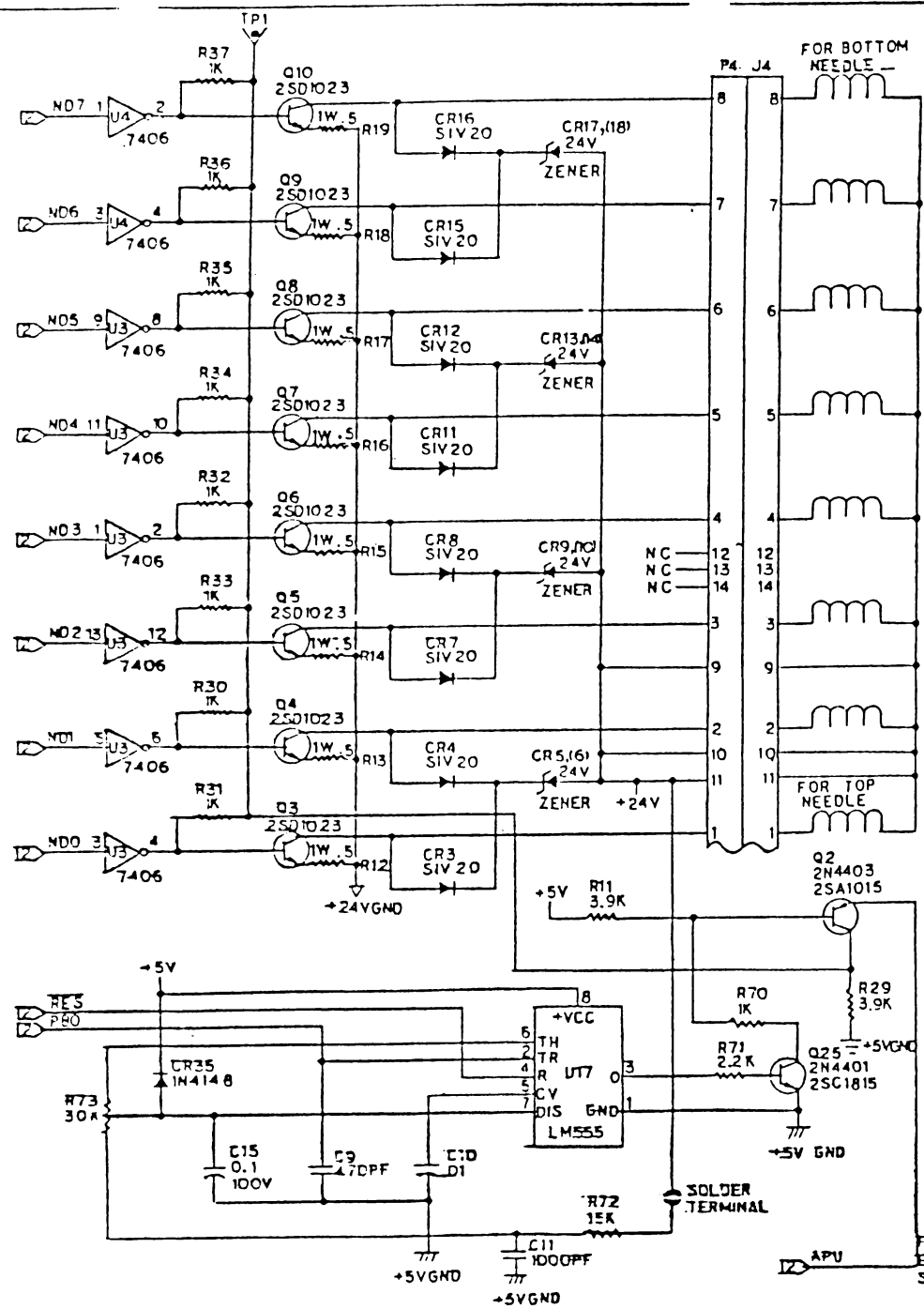


2. USE DOUBLE POLE, SW FOR 220V & 240V.  
 [1] FUSE RATING : . USE 0.8A 250V FOR 220V & 240V.  
 . USE 1.5A 125/250V FOR 117V & 100V.  
 NOTES-UNLESS OTHERWISE SPECIFIED:

UNLESS OTHERWISE SPECIFIED TOLERANCES DN: DECIMALS .XXX L'S	DRAWN BY:	DATE	commodore
	<i>N. Takase</i>	10-13-83	
MATERIAL:	CHKD: <i>[Signature]</i>	10-13-83	SCHEMATIC DIAGRAM
	FINISH:	ENGR:	
USED ON	APPR:		SIZE
MPP			B
-1361			REV
			B
			SCALE NONE
			SHEET 1 OF 3



REVISIONS		DESCRIPTION	DATE	APPROVE.
LTR	ZONE	SEE SHEET 1		



2. CAPACITANCE VALUES ARE IN MICROFARADS, 50V.  
 1. RESISTANCE VALUES ARE IN OHMS, 1/4W ± 5%.  
 NOTE - UNLESS OTHERWISE SPECIFIED:

K. KAGO 7/17/75		COMMERCIAL	
2400-1000		SCHEMATIC DIAGRAM:	
74122 (1.1)		B 251205 18	
MPP -1361		SCALE: 100% 3/1/75	



**This was brought to you**

**from the archives of**

**<http://retro-commadore.eu>**